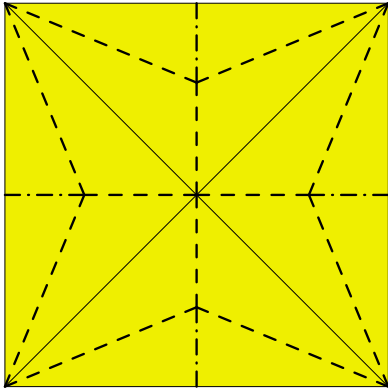


Ballerina

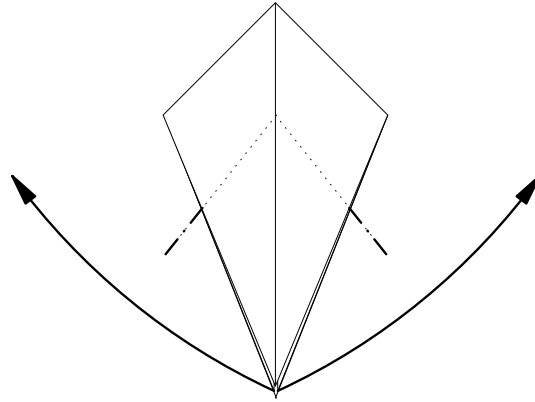
Maarten van Gelder

© 1998 Mar

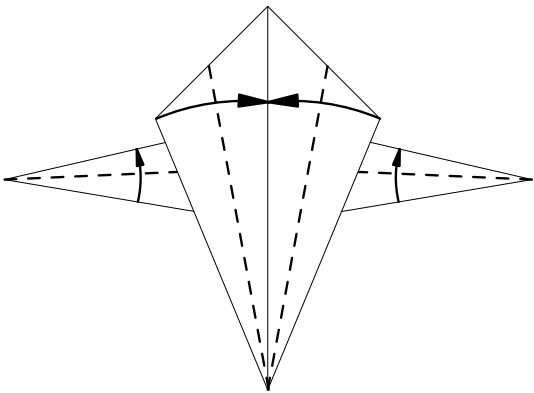
The Ballerina is a variation on my Human figure. Use a light color for both sheets. Start both parts coloured side as shown to get a complete white figure. Created on the way to St. Petersburg. The daughter of Sergei Afonkin was on the ballet school and figured in the theatre.



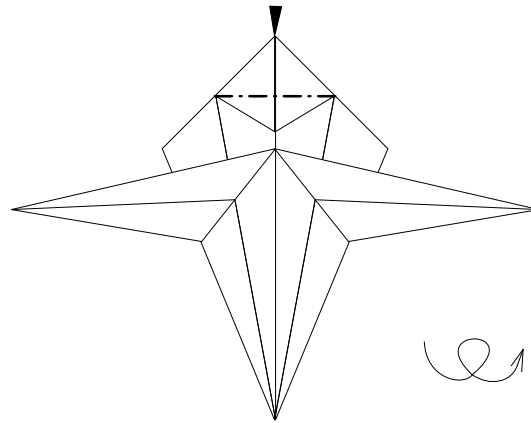
1 Top part of body



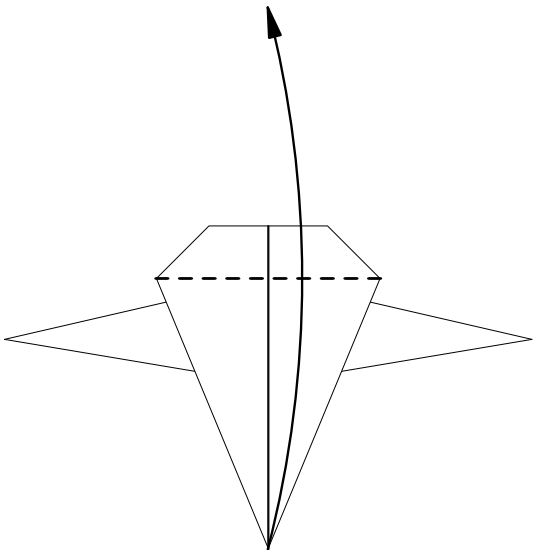
2



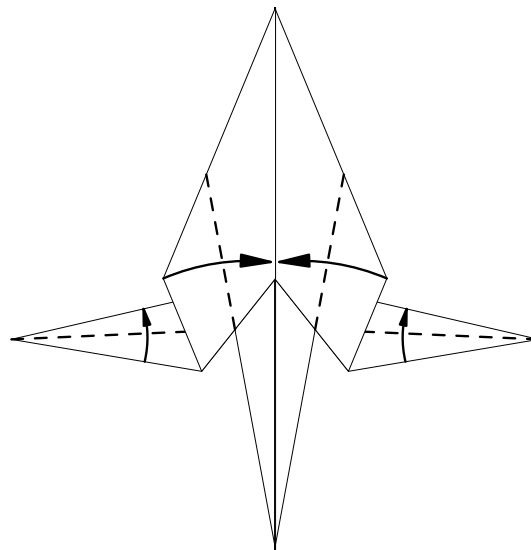
3



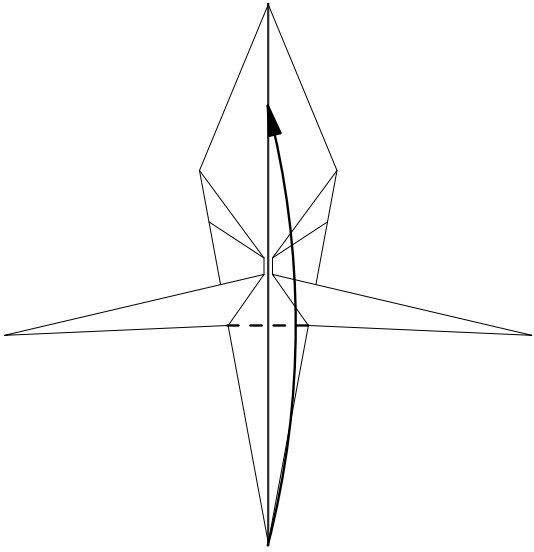
4



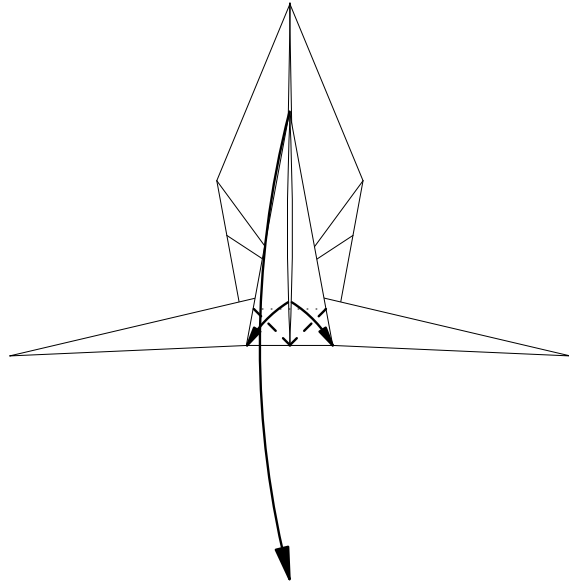
5



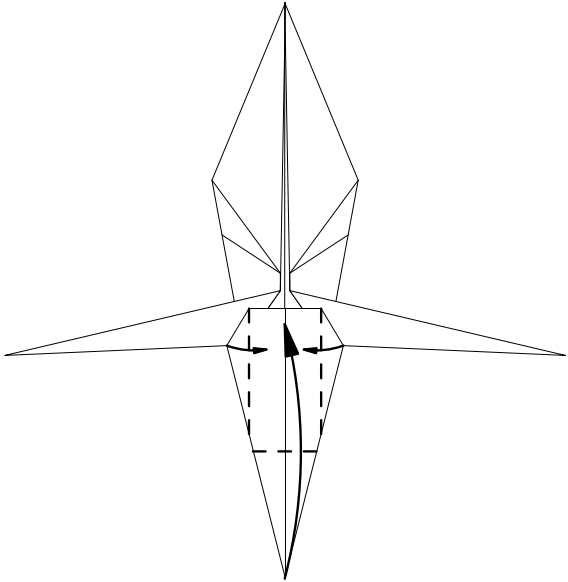
6



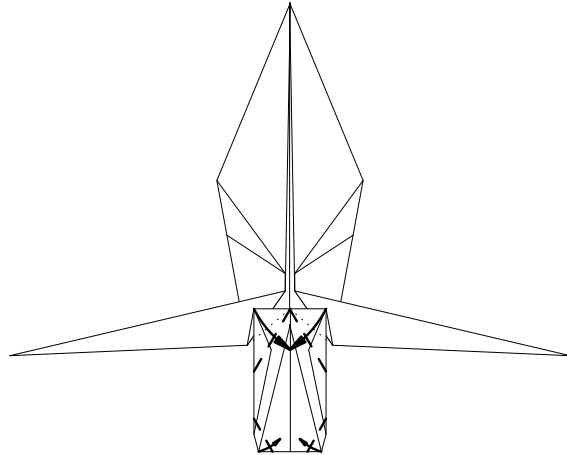
7



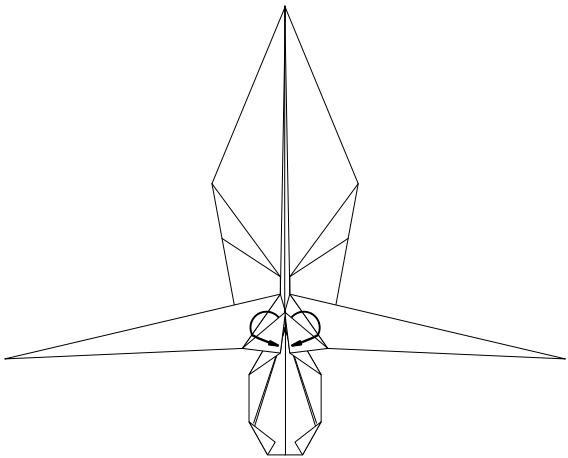
8



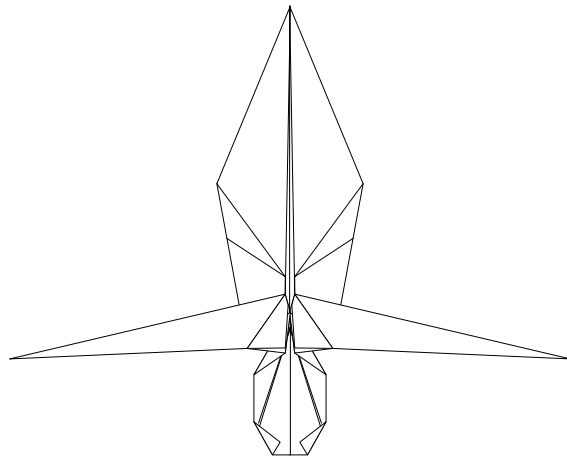
9



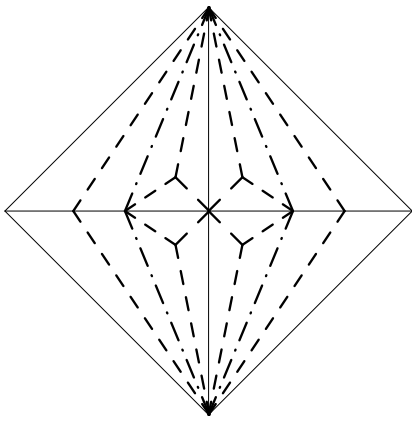
10



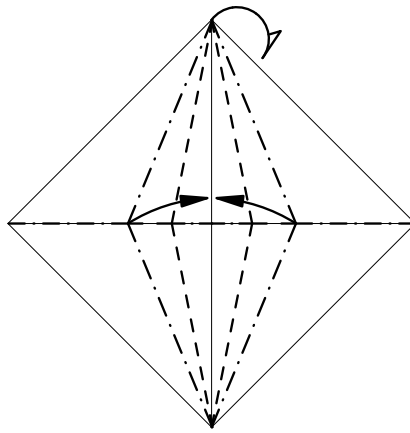
11 Pull hidden flap and fold over



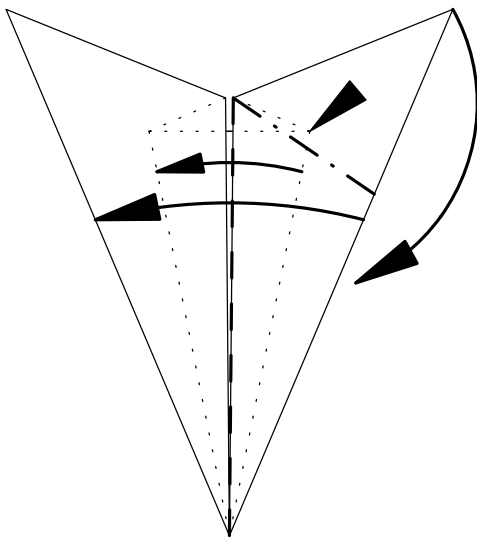
12 Top part of body finished



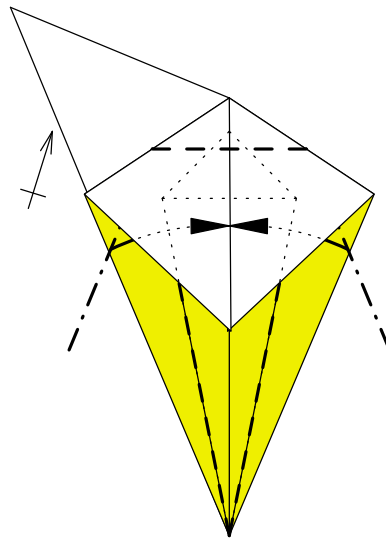
13 Bottom part of body; precrease



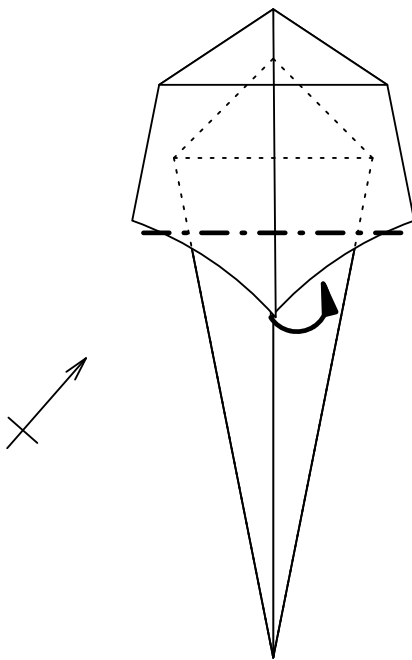
14



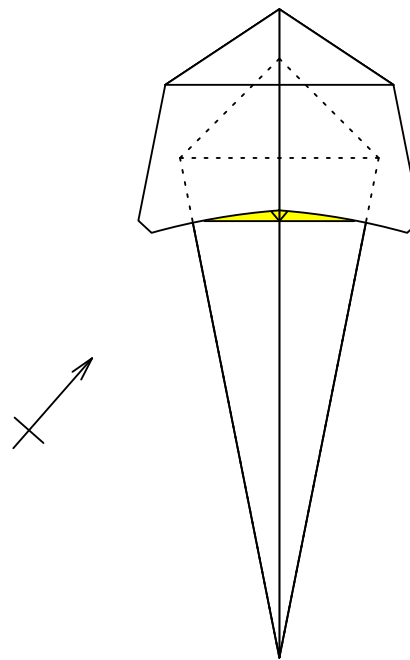
15



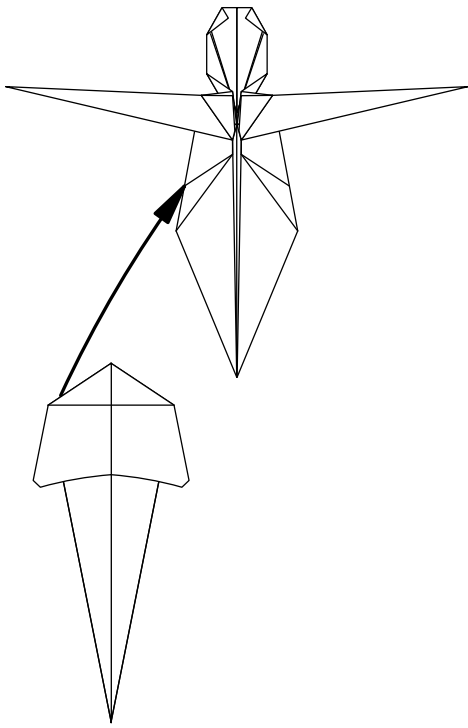
16



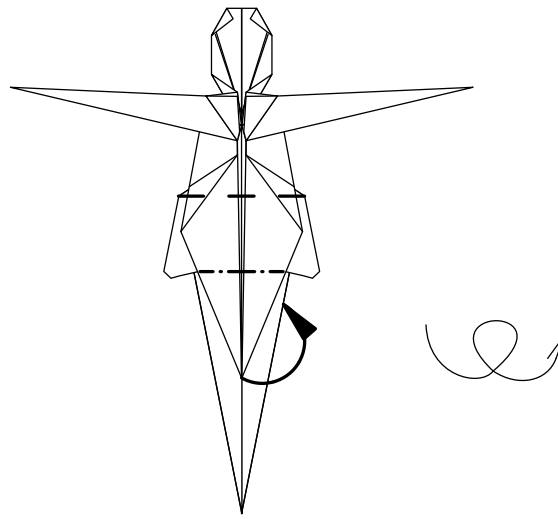
17 Tutu is now 3D



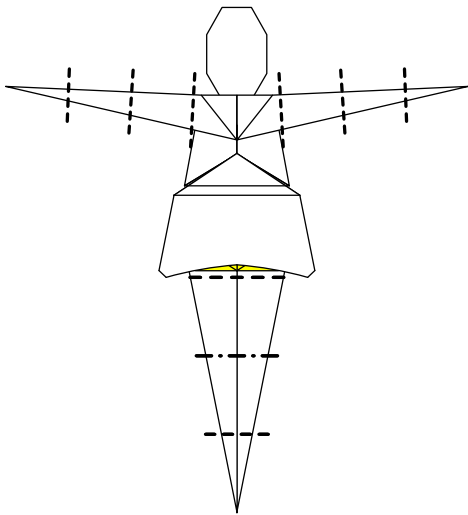
18 Bottom part finished



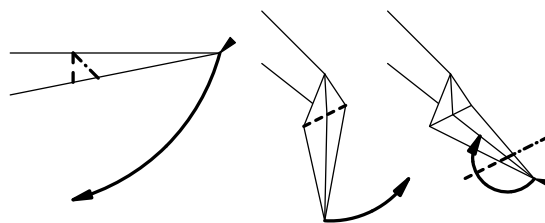
19 Insert bottom part in top part in sink of diagram 4



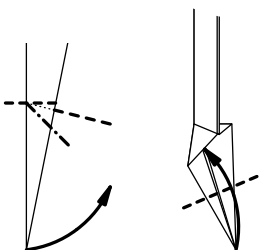
20 Lock parts by folding tip inside bottom part



21 Form arms and legs



22 Form hands



23 Form feet