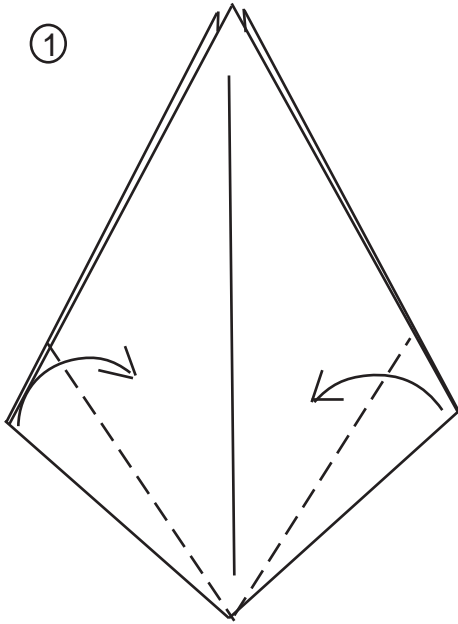


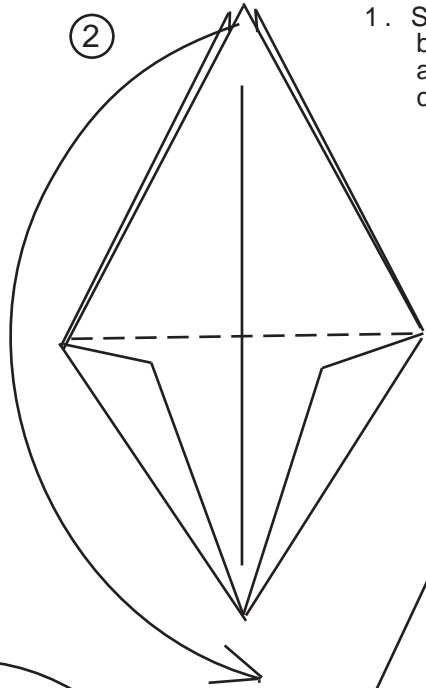
# American Eagle

Origami Individual Project Group E  
 Sandy Union Middle School Sandy OR  
 Designed by Colleen Winchester 2-8-74  
 Diagramed by Perry Bailey 1999

①



②

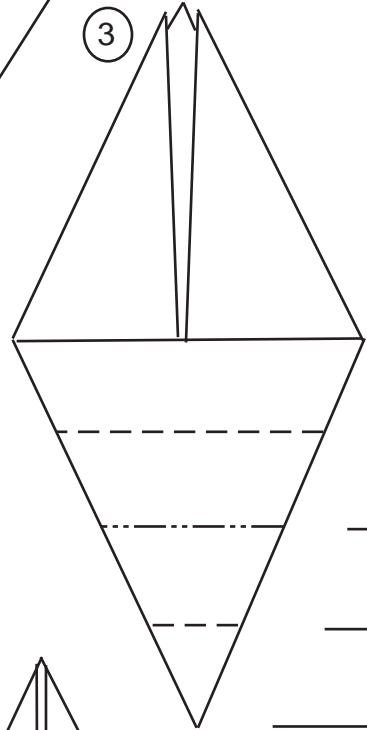


1. Start with an inverted bird base. Then fold the flaps in about 1/3 of the way in to the center. Repeat on back side.

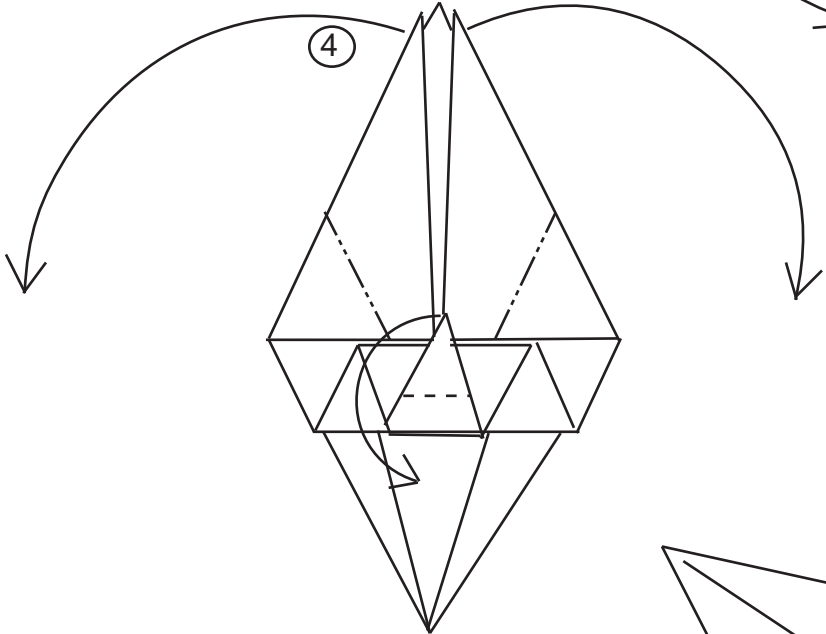
2. Valley fold the top flap down.

3. Pleat the lower flap upwards as shown.

③

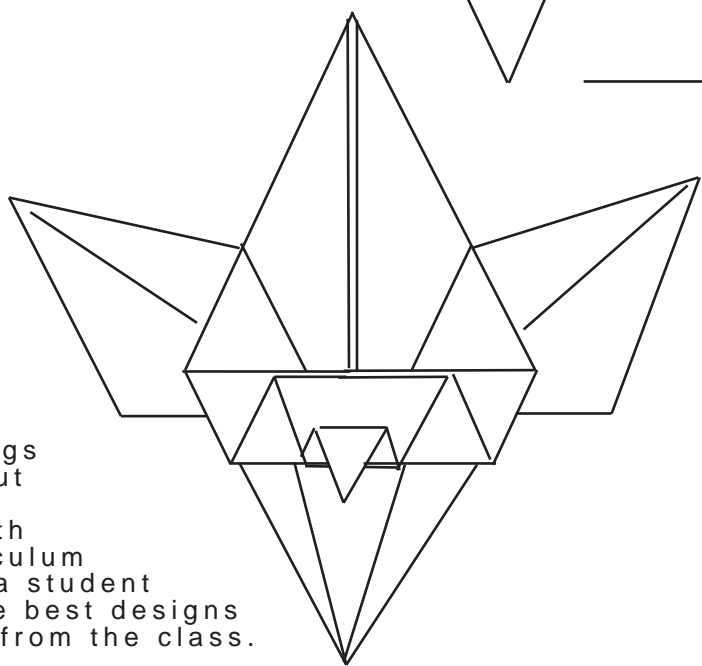


④



4. Valley fold down the tip of flap as shown to create the beak. Then twist out the wings only the top fold is shown, but it is simple enough not to be a problem. Colleen was in 7th grade when I wrote the curriculum for Origami and taught it as a student teacher. Hers was one of the best designs and the only one I still have from the class.

PVB



Finished